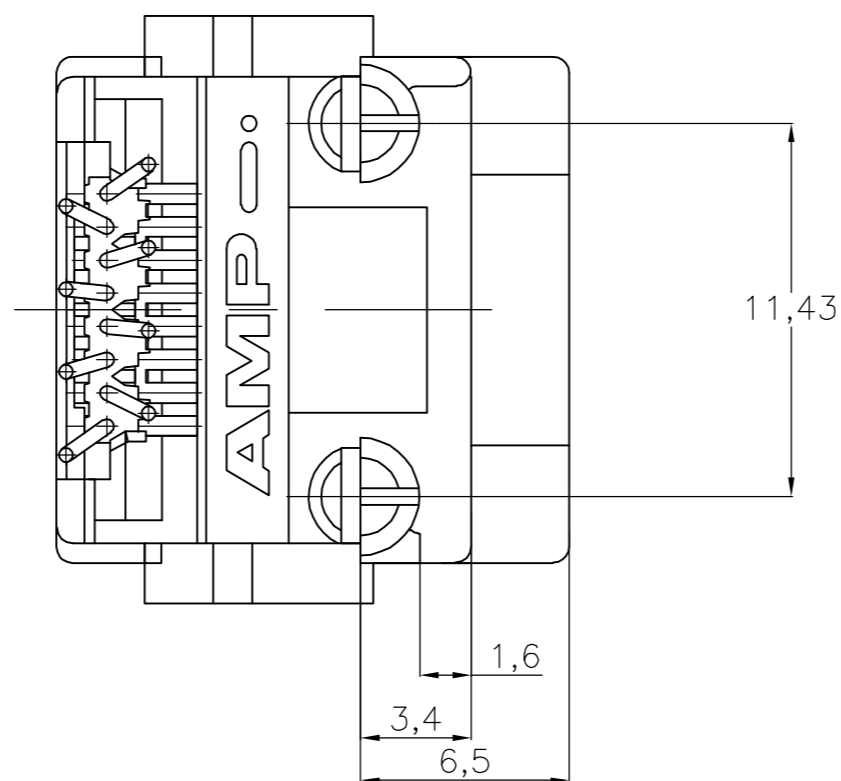
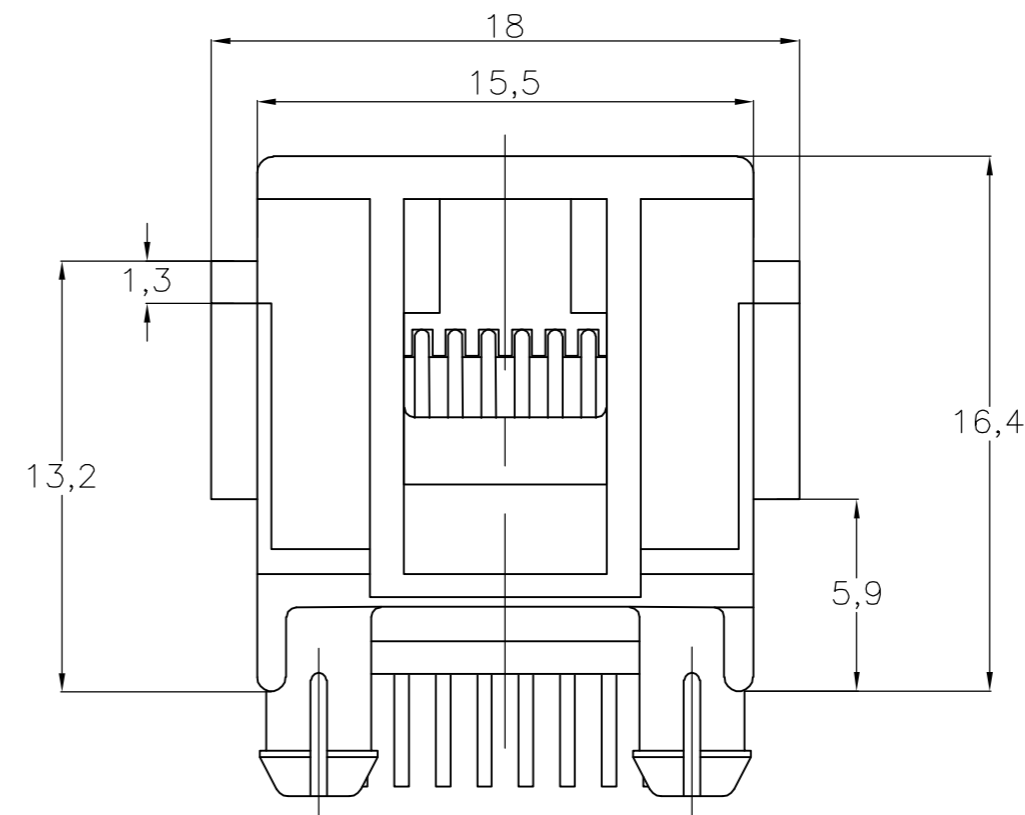
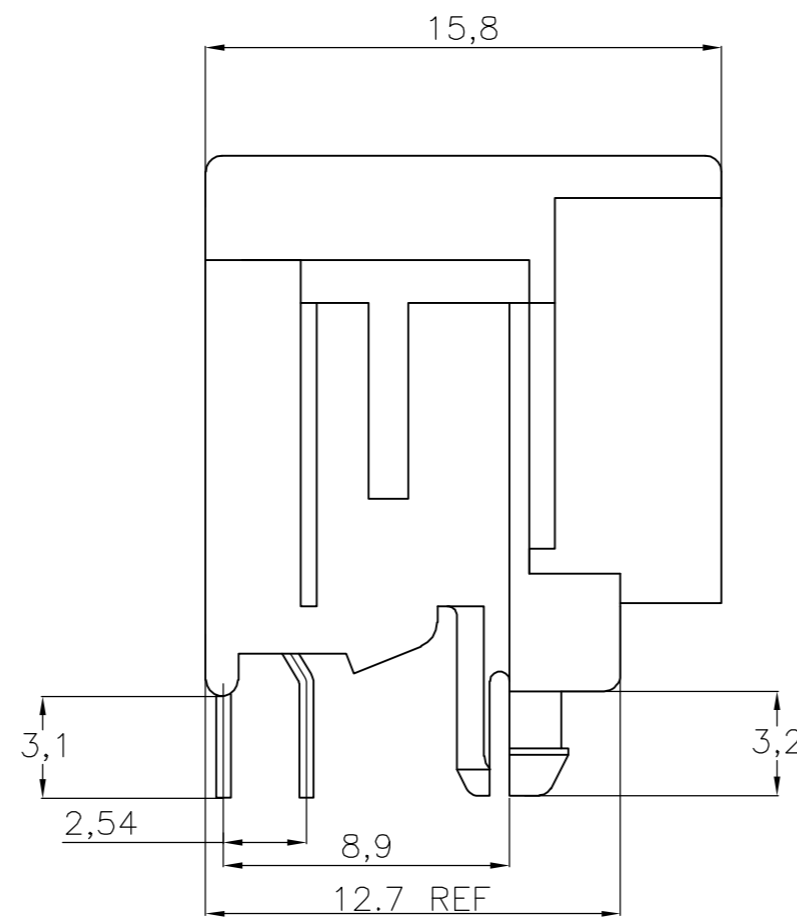
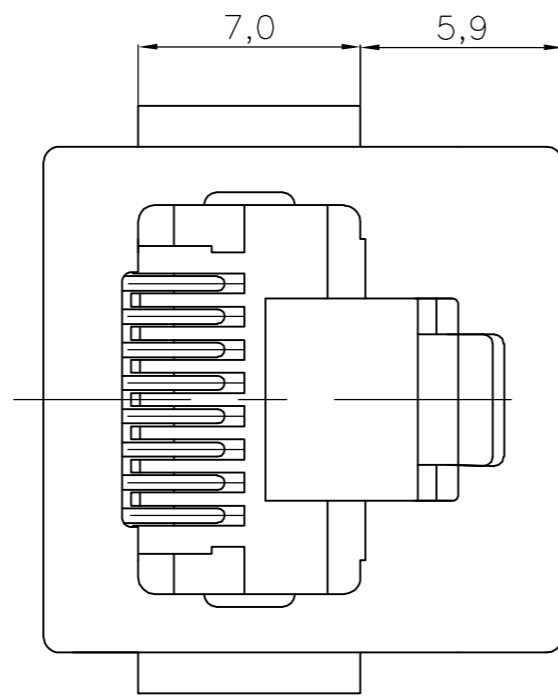
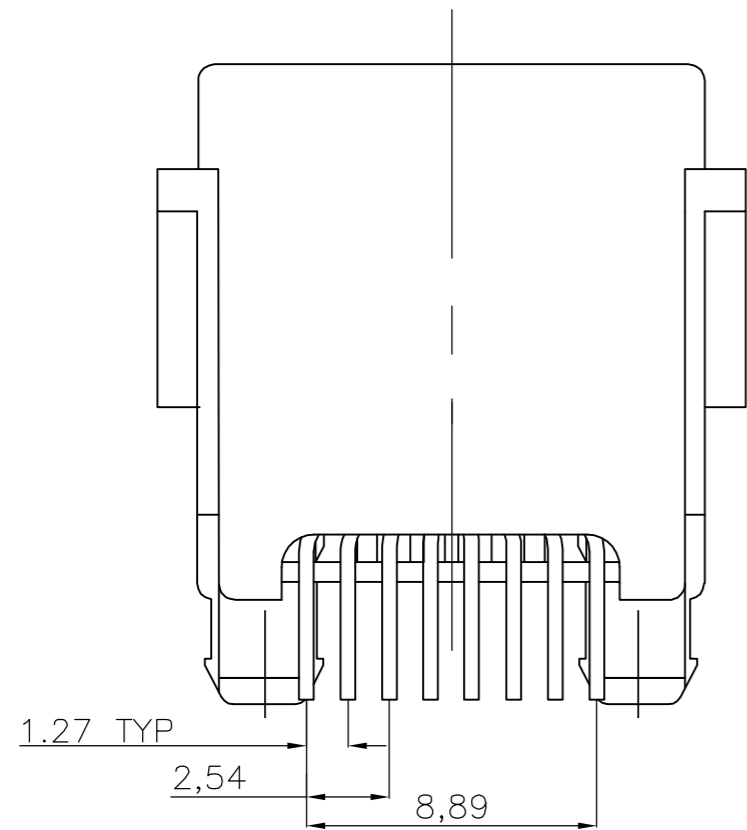


THIS DRAWING IS UNPUBLISHED. RELEASED FOR PUBLICATION
 © COPYRIGHT BY TYCO ELECTRONICS CORPORATION. ALL RIGHTS RESERVED.

LOC	DIST	REVISIONS					
		P	LTR	DESCRIPTION	DATE	DWN	APVD
H	-		L	SR10-0510-02	10-12-02	KV	-
			M	SR10-0075-03	04-03-03	KV	-
			N	ECR-06-013127	31-05-06	MO	-

NOTES:

- 1 TOLERANCES UNLESS OTHERWISE SPECIFIED: ±0,15
- 2 FOR APPLICATION INFORMATION SEE AMP SPEC. 114-19019.
- 3 FOR PERFORMANCE REQUIREMENTS SEE AMP SPEC. 108-19064



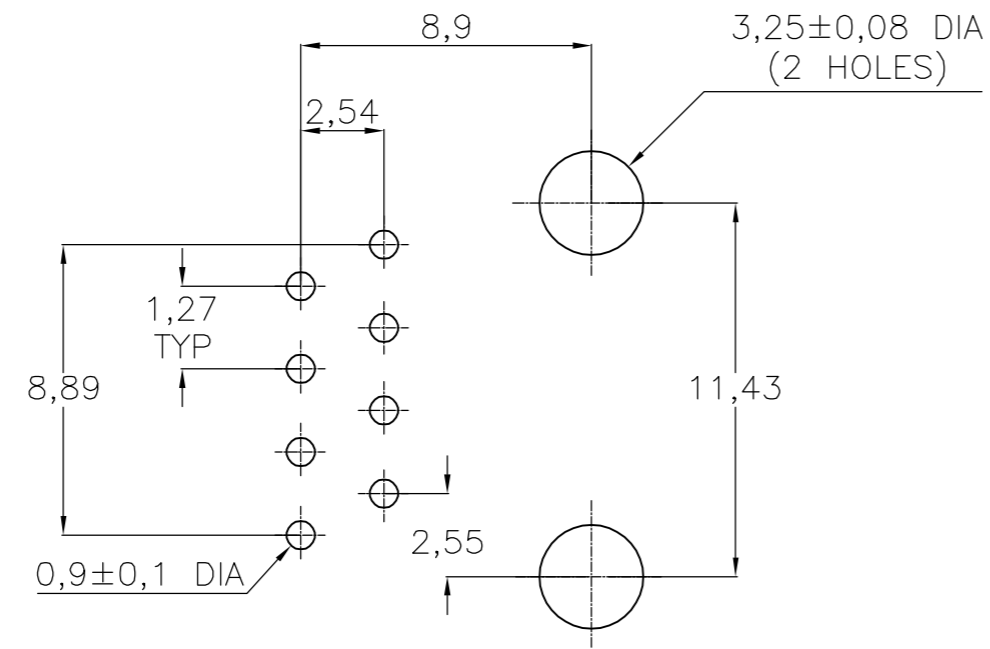
THIS DRAWING IS A CONTROLLED DOCUMENT.		DWN P.BEIJNON 19JUN90	Tyco Electronics Corporation s-Hertogenbosch, Nederland,	
DIMENSIONS: MM		CHK C.A.STERKEN		
TOLERANCES UNLESS OTHERWISE SPECIFIED:		APVD L.V.SOEST	MODULAR JACK 8 POS. TOP ENTRY WITH PANEL STOPS FOR PRINTED CIRCUIT BOARD	
0 PLC ± - 1 PLC ± - 2 PLC ± - 3 PLC ± - 4 PLC ± - ANGLES ± -		PRODUCT SPEC -	SIZE A2	CAGE CODE 00779
MATERIAL SEE SHEET 2		FINISH SEE SHEET 2	DRAWING NO C=216566	RESTRICTED TO -
CUSTOMER DRAWING		WEIGHT -	SCALE -	SHEET 1 OF 2 REV N

216566

A

THIS DRAWING IS UNPUBLISHED. RELEASED FOR PUBLICATION
 © COPYRIGHT BY TYCO ELECTRONICS CORPORATION. ALL RIGHTS RESERVED.

LOC	DIST	REVISIONS			
P	LTR	DESCRIPTION	DATE	DWN	APVD
H	-	SEE SHEET 1	-	-	-



PRINTED CIRCUIT BOARD LAYOUT
 [VIEW SHOWN IS CIRCUIT (NONCOMPONENT) SIDE OF BOARD.]
 TOLERANCES UNLESS OTHERWISE SPECIFIED: ±0,05
 PRINTED CIRCUIT BOARD THICKNESS: 1,6 mm NOMINAL.

PACKAGING	REMARKS	FINISH	MATERIAL	PARTNUMBER
180pcs. IN A TRAY 6 TRAYS IN A BOX			HOUSING: PBT,UL 94-HB COLOR: BLACK CONTACTS: PHOSPHOR BRONZE	216566-4
600pcs. ON A 60cm. DIA. REEL.	8 POSITIONS/ 8 CONTACTS.	IN CONTACT AREA : 1,2µm MIN.SEL.GOLD OVER 1,2µm MIN.NICKEL SOLDER TINES: 2,0µm MIN. TIN OVER 1,2µm MIN. NICKEL	HOUSING: PBT,UL 94V-0 COLOR: BLACK CONTACTS: PHOSPHOR BRONZE	216566-2
			HOUSING: PBT,UL 94-HB COLOR: BLACK CONTACTS: PHOSPHOR BRONZE	216566-1

THIS DRAWING IS A CONTROLLED DOCUMENT.		DWN P.BEIJNON 19JUN90	Tyco Electronics Corporation s-HertogenBosch,Nederland,													
DIMENSIONS: MM		CHK C.A.STERKEN														
TOLERANCES UNLESS OTHERWISE SPECIFIED:		APVD L.V.SOEST	NAME													
<table border="1"> <tr><td>0 PLC</td><td>± -</td></tr> <tr><td>1 PLC</td><td>± -</td></tr> <tr><td>2 PLC</td><td>± -</td></tr> <tr><td>3 PLC</td><td>± -</td></tr> <tr><td>4 PLC</td><td>± -</td></tr> <tr><td>ANGLES</td><td>± -</td></tr> </table>		0 PLC	± -	1 PLC	± -	2 PLC	± -	3 PLC	± -	4 PLC	± -	ANGLES	± -	PRODUCT SPEC	MODULAR JACK 8 POS. TOP ENTRY WITH PANEL STOPS FOR PRINTED CIRCUIT BOARD	
0 PLC	± -															
1 PLC	± -															
2 PLC	± -															
3 PLC	± -															
4 PLC	± -															
ANGLES	± -															
MATERIAL SEE TABLE		FINISH SEE TABLE	WEIGHT -	RESTRICTED TO												
		CUSTOMER DRAWING	SCALE -	SHEET 2 OF 2 REV N												